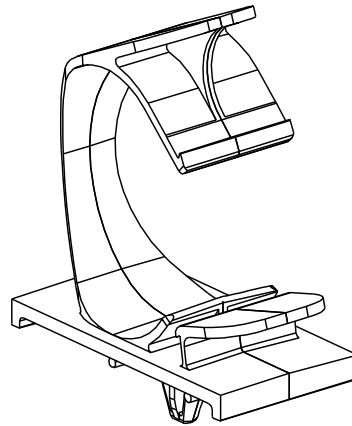
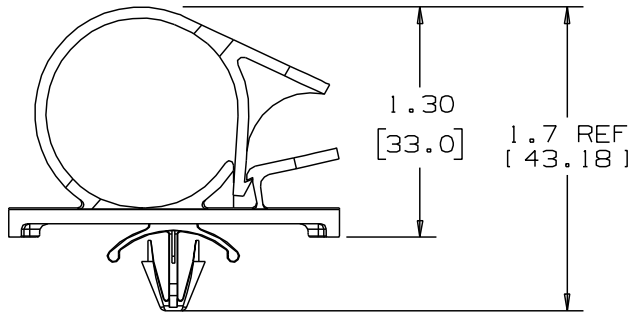
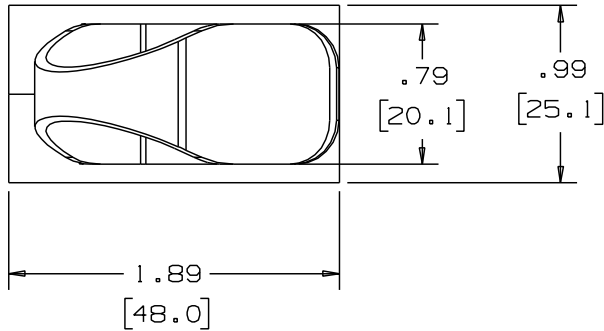


THIS COPY IS PROVIDED ON A RESTRICTED BASIS AND IS NOT TO BE USED IN ANY WAY DETRIMENTAL TO THE INTERESTS OF PANDUIT CORP.



PANDUIT PART NUMBER*	MAXIMUM CABLE DIA. in. (mm)	WEIGHT lbs. (g)/100pcs	HOLE SIZE DIA. RANGE	PANEL THK. RANGE
LWC100-H25	1.0 (25.4)	1.53 (695)	3/16" - 1/4" [5-6]	0.025-0.105 [0.6-2.7]

NOTES:  
 1) SEE [www.panduit.com](http://www.panduit.com) FOR CURRENT PART NUMBER SUFFIX DESIGNATION AND FOR PACKAGE SIZE AND PART COLOR.

DIMENSIONS IN BRACKETS ARE METRIC (mm)

						TITLE <b>LWC100-H25, LATCHING WIRE CLIP</b>							
						CUSTOMER DRAWING							
						ITEM REVISION NAME <b>10B015K1/00</b>		<b>PANDUIT</b>					
						DATASET FILE NAME <b>10B015K1.DC/00-GB0239FF.REV05</b>							
						UNLESS OTHERWISE SPECIFIED, DIMENSIONAL TOLERANCES ARE: IN (mm) .x ± 0.05 (1.3)      .xxx ± 0.010 (0.25) .xx ± 0.02 (0.5)      ANGLES ± 5°							
						DRAWN BY <b>JOS</b>		DATE <b>8/07/97</b>		CHK <b>SCALE</b> <b>1:1</b>		MATERIAL: <b>NYLON 6/6</b>	
												DRAWING NUMBER: <b>GB0239FF</b>	
REV	DATE	BY	CHK	APR	DESCRIPTION	ECN	SHT 1 OF 1		SIZE <b>A</b>				

D101000A/16